



THD LIGHTSCOPE LED ANOSCOPE



Use

The LightScope LED anoscope is a DISPOSABLE medical device deemed for investigation of the anal canal.

General Description

The LightScope LED anoscope combines in a single device a light anoscope and a powerful, fully integrated, LED light source, in order to have a clear and detailed vision of the inspection field.

The LightScope LED anoscope is ready to use and does not need for other tools
Available with truncated or beveled tip.

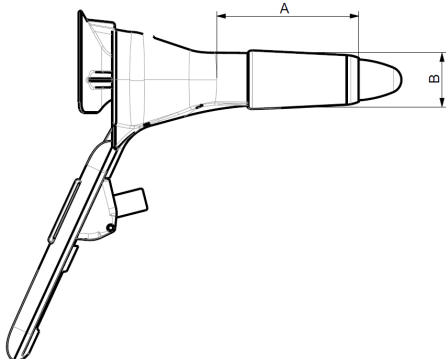
Features

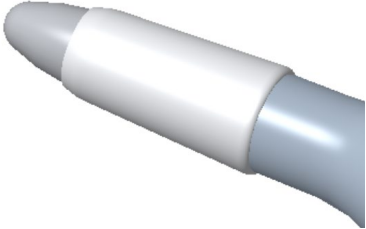
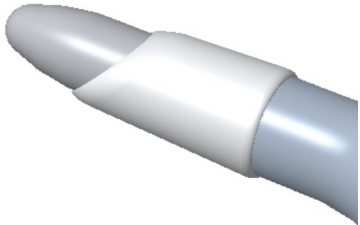
- Made of a medical grade Polycarbonate
- Comply with the biocompatibility requirements of the ISO 10993 standard
- Self-light, with an integrated light source
- Two ends available (truncated and beveled)
- Ready to use
- Light (40 g/0.09 pound)
- FDA Regulatory Class II
- Individually packaged
- Latex Free



Advantages

- It is not need for an external light source
- No need for set-up before use
- It avoids the risk of cross-contamination

Dimensional Features	
THD LIGHTSCOPE LED ANOSCOPE	
	
Diameter (B)	25 mm (0.98 in)
Length (A)	70 mm (2.76 in)

THD LightScope LED Anoscope		
TRUNCATED		BEVELLED
		
Code	Qty	Denomination
800092 - 10	10	THD LightScope Ano Truncated LED
800093 - 10	10	THD LightScope Ano Bevelled LED

THD360129_US_Rev00_20190424_THD_Lightscope_Ano_LED_NS.docx